

www.uniwin.co.uk

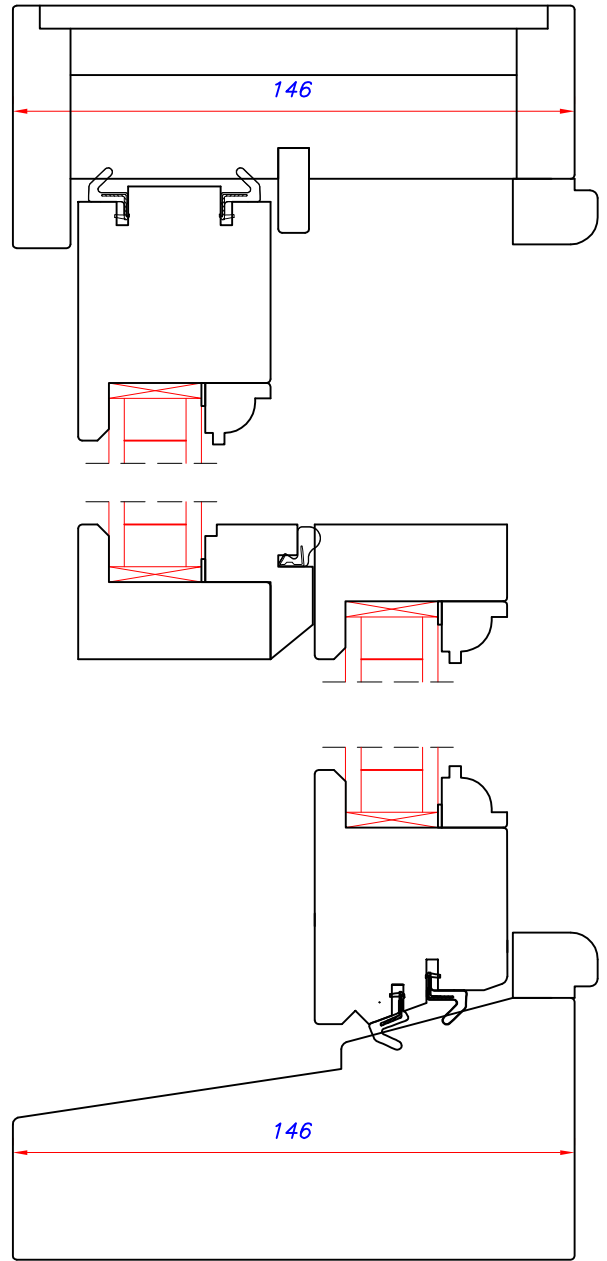
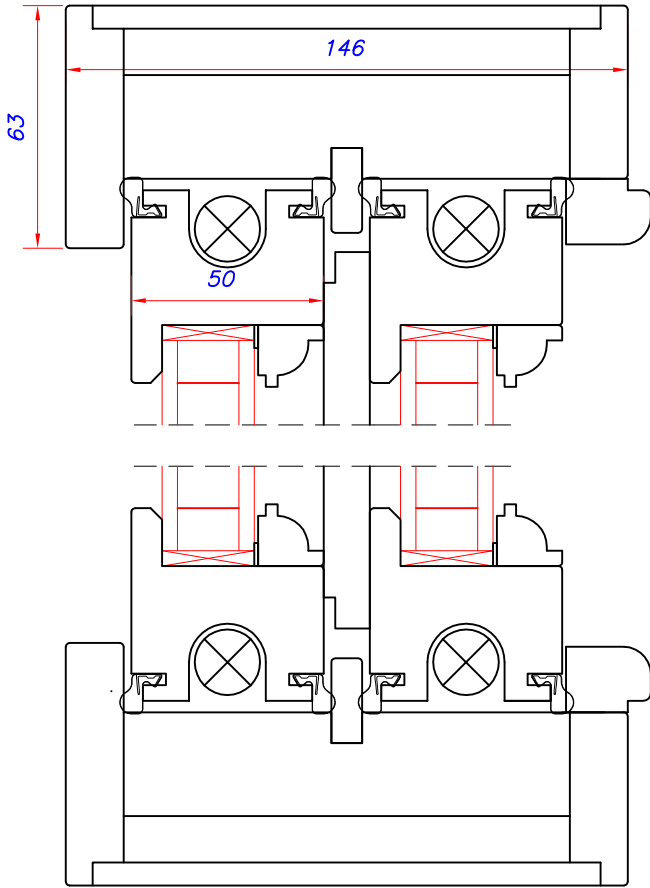
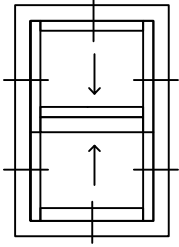


**UNI WINDOWS Ltd.**  
 Unit 6, Edgefield Industrial Est.  
 Loanhead, EH20 9TB  
 Tel.: 0131 448 3931

Sash Balance 50/45  
 Horizontal and vertical cut

Sash & Case

Version: 1	Scale: 1:2
Date: 15.11.13	Drawing: SC1

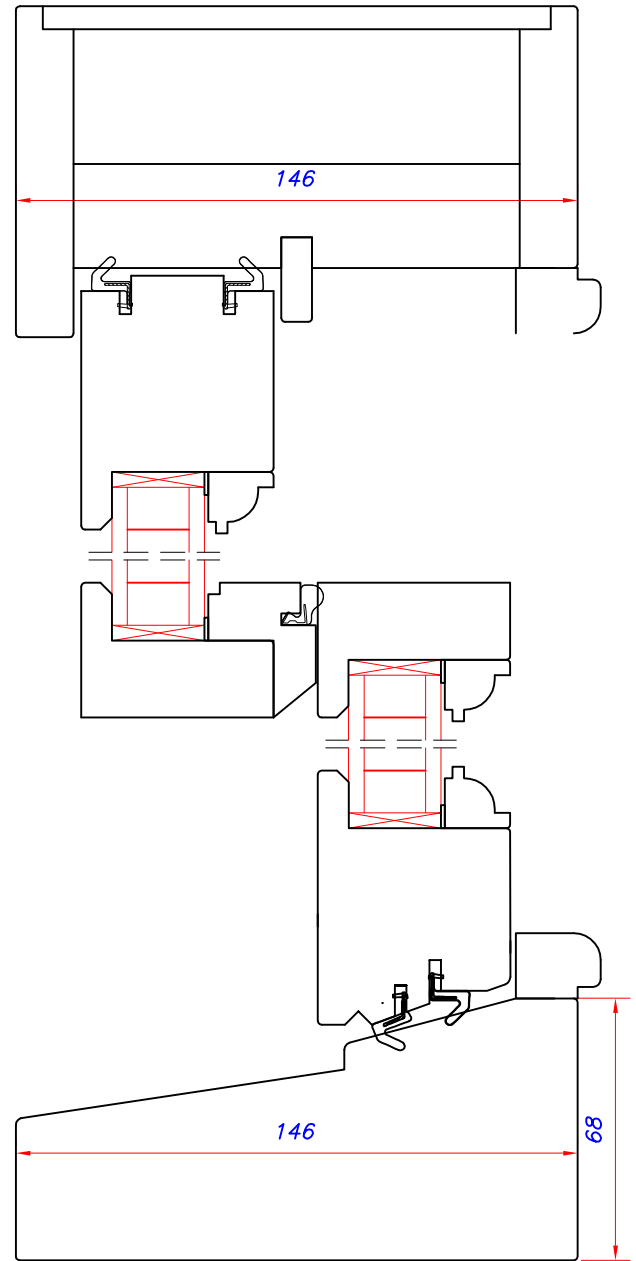
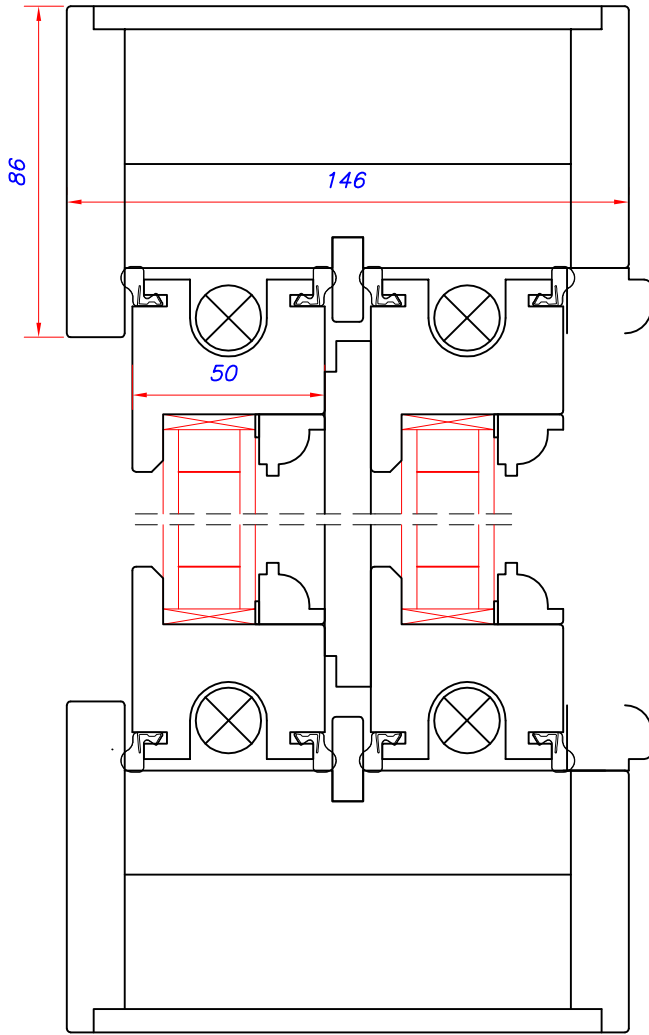
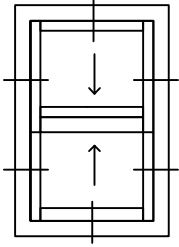


**UNI WINDOWS Ltd.**  
 Unit 6, Edgefield Industrial Est.  
 Loanhead, EH20 9TB  
 Tel.: 0131 448 3931

Sash Balance 50/63  
 Horizontal and vertical cut

Sash & Case

Version: 1	Scale: 1:2
Date: 15.11.13	Drawing: SC2



www.uniwin.co.uk

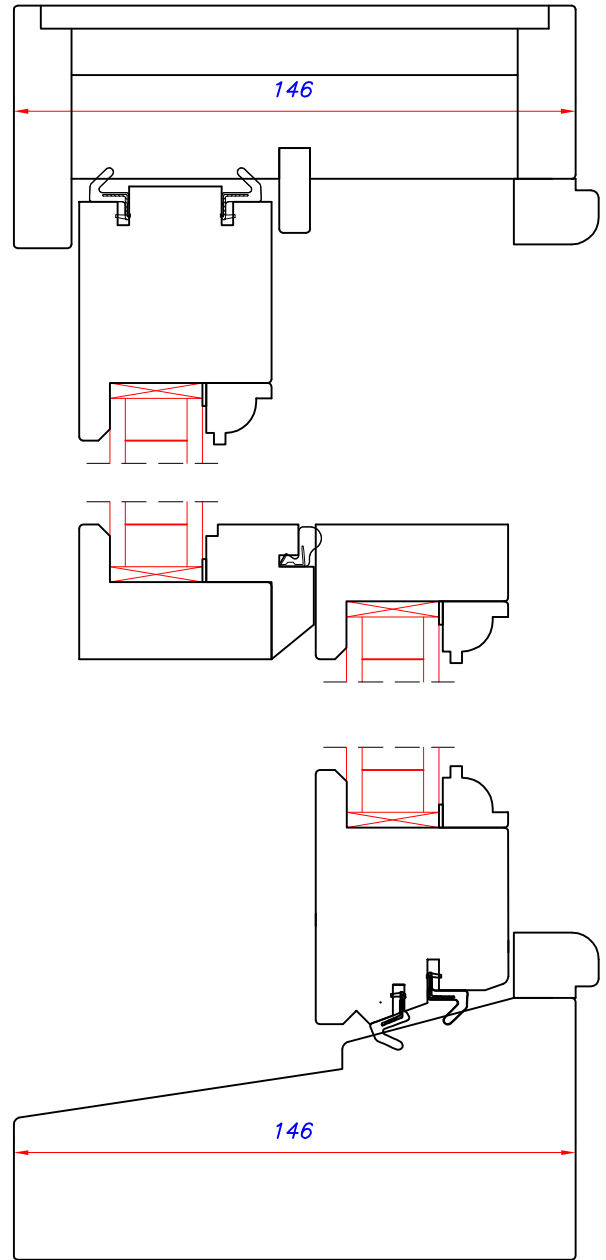
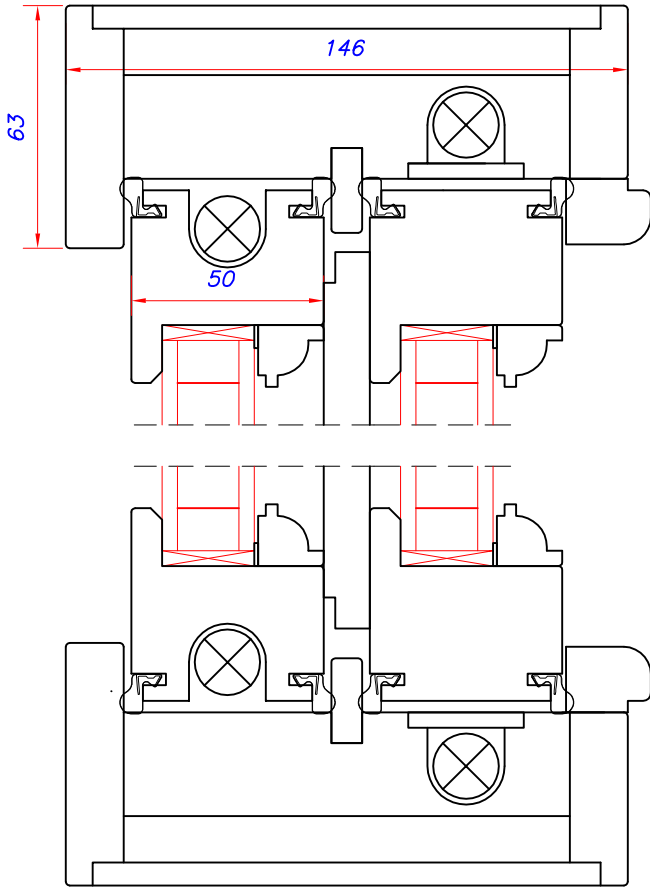
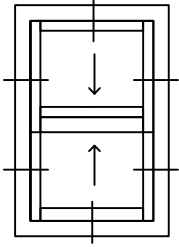


**UNI WINDOWS Ltd.**  
 Unit 6, Edgefield Industrial Est.  
 Loanhead, EH20 9TB  
 Tel.: 0131 448 3931

Sash Balance 50/86  
 Horizontal and vertical cut

Sash & Case

Version: 1	Scale: 1:2
Date: 15.11.13	Drawing: SC3

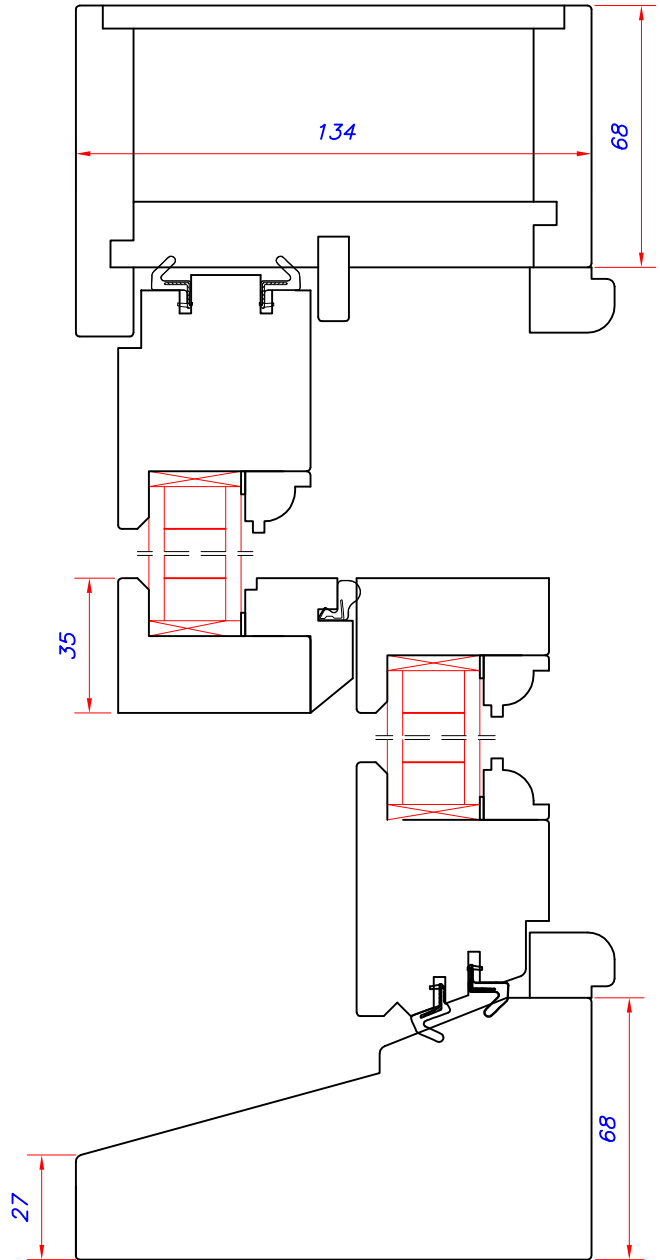
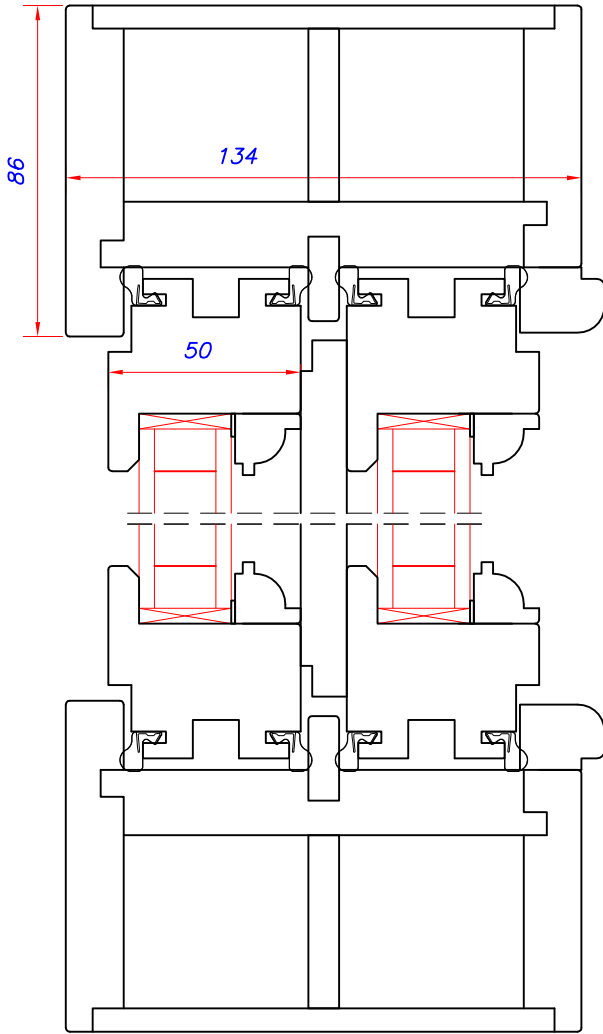
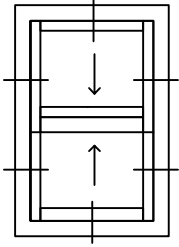


**UNI WINDOWS Ltd.**  
 Unit 6, Edgefield Industrial Est.  
 Loanhead, EH20 9TB  
 Tel.: 0131 448 3931

Sash Balance Elegance 50/63  
 Horizontal and vertical cut

Sash & Case

Version: 1	Scale: 1:2
Date: 15.11.13	Drawing: SC4

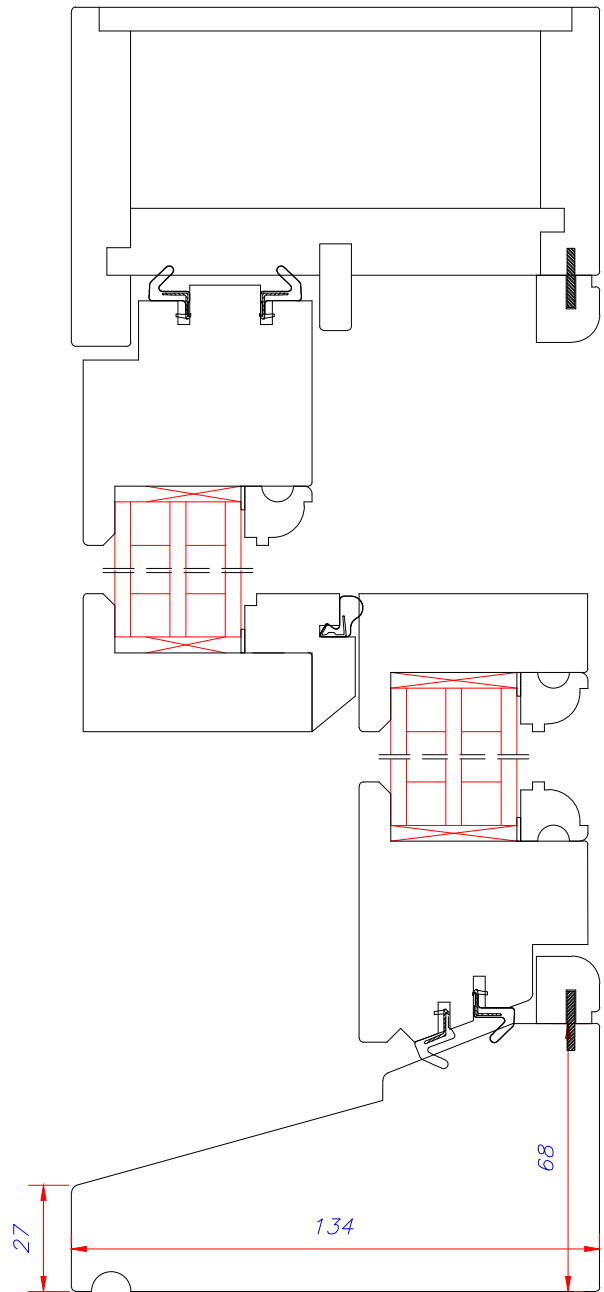
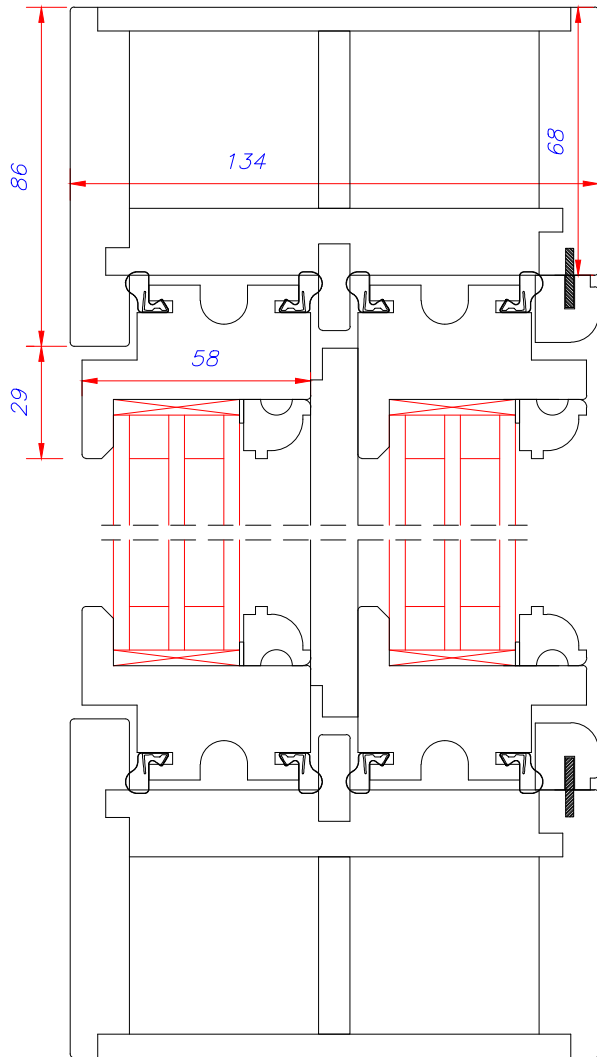
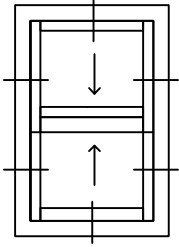


**UNI WINDOWS Ltd.**  
 Unit 6, Edgefield Industrial Est.  
 Loanhead, EH20 9TB  
 Tel.: 0131 448 3931

Sash Balance Standard Plus  
 Horizontal and vertical cut

Sash & Case

Version: 1	Scale: 1:2
Date: 15.11.13	Drawing: SC5

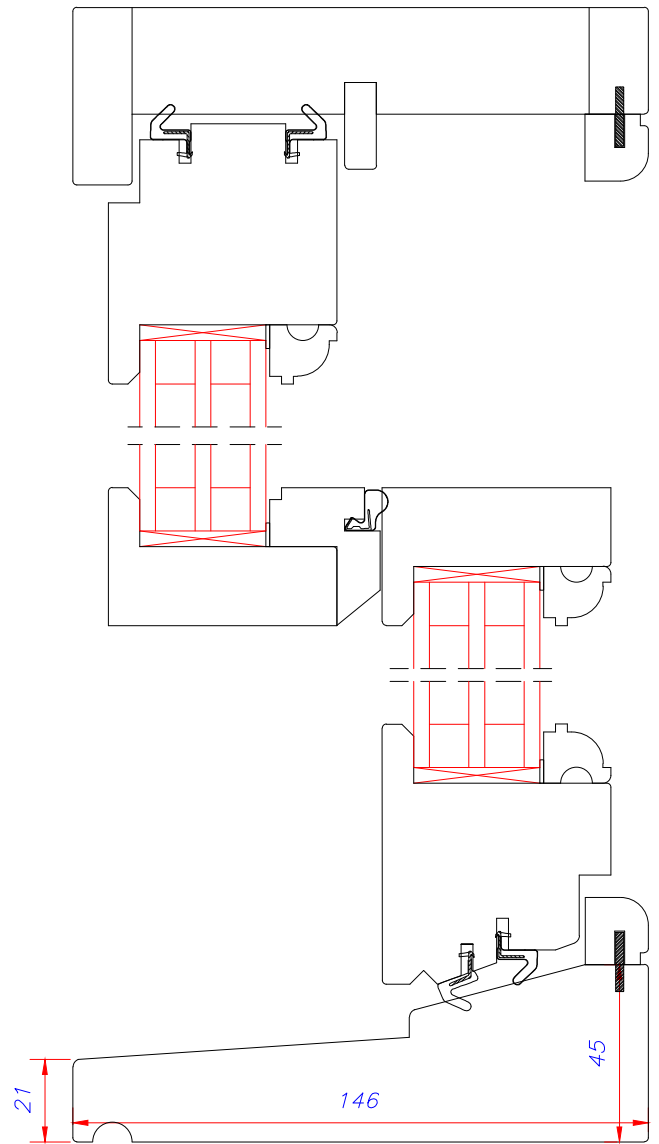
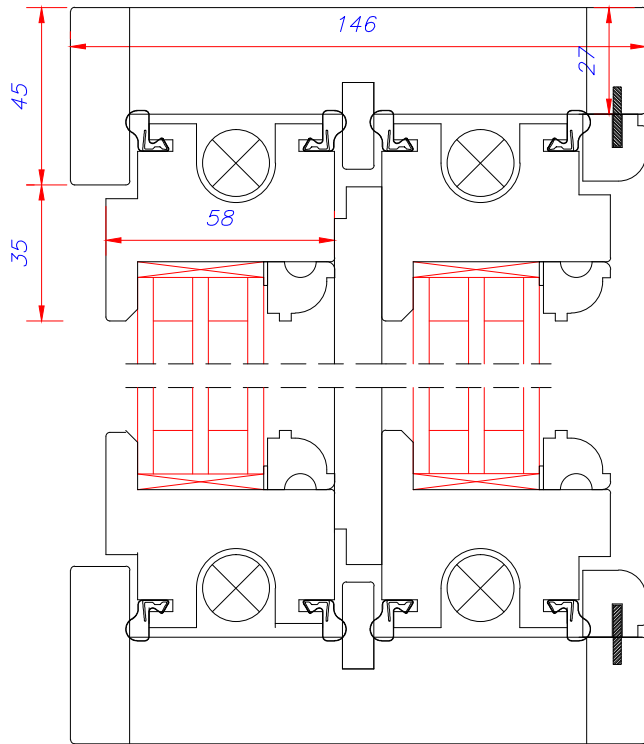
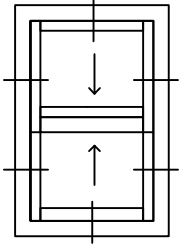


**UNI WINDOWS Ltd.**  
 Unit 6, Edgefield Industrial Est.  
 Loanhead, EH20 9TB  
 Tel.: 0131 448 3931

**Sash Excellent**  
 Horizontal and vertical cut

Sash & Case

Version: 1	Scale: 1:2
Date: 15.11.13	Drawing: SC6

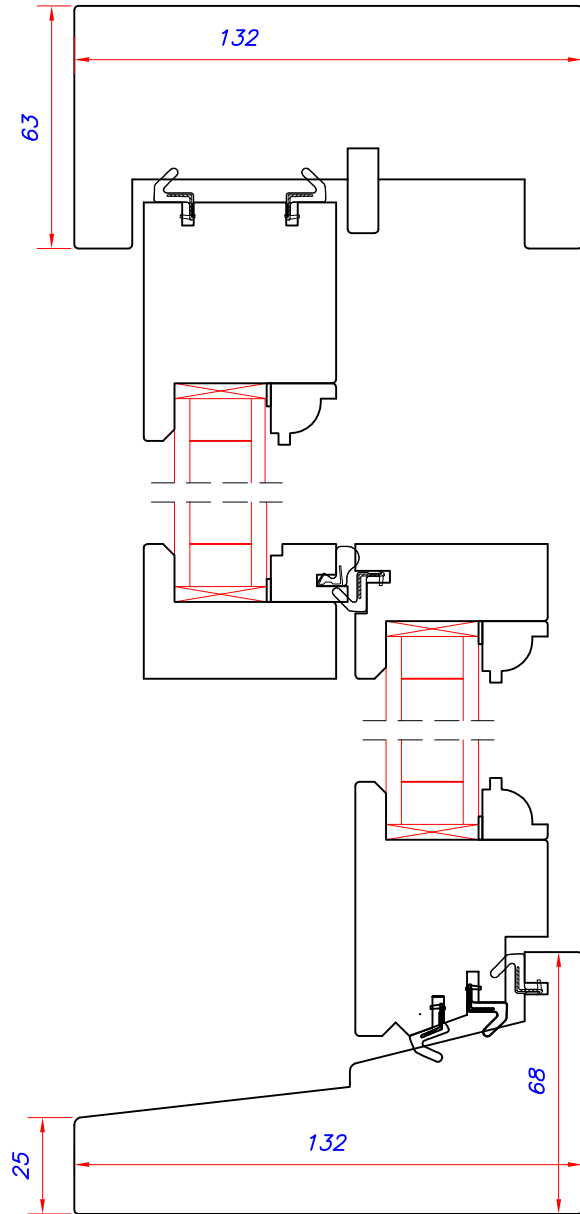
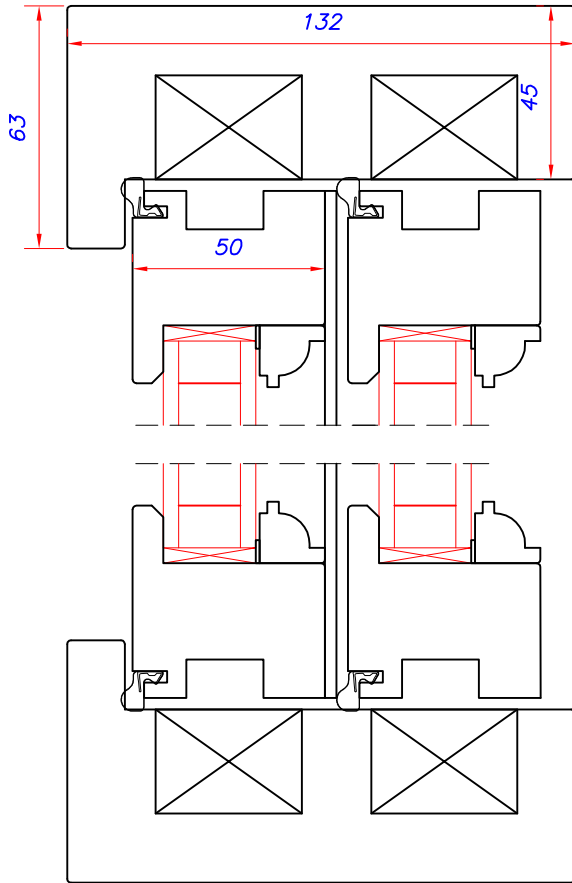
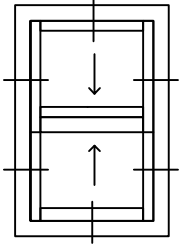


**UNI WINDOWS Ltd.**  
 Unit 6, Edgefield Industrial Est.  
 Loanhead, EH20 9TB  
 Tel.: 0131 448 3931

Sash Balance 58/45  
 Horizontal and vertical cut

Sash & Case

Version: 1	Scale: 1:2
Date: 15.11.13	Drawing: SC7



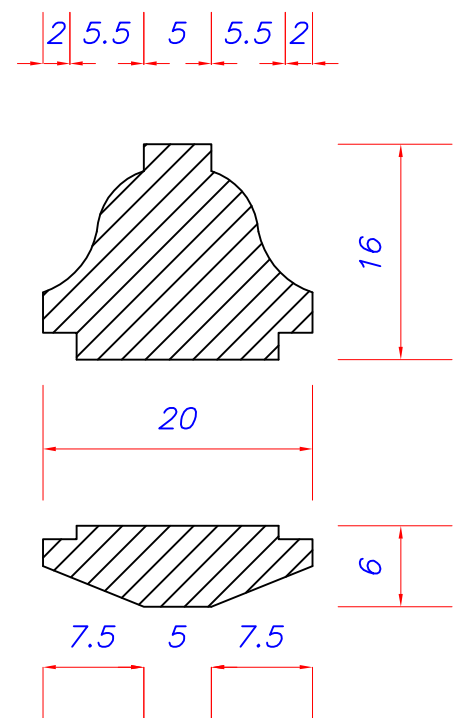
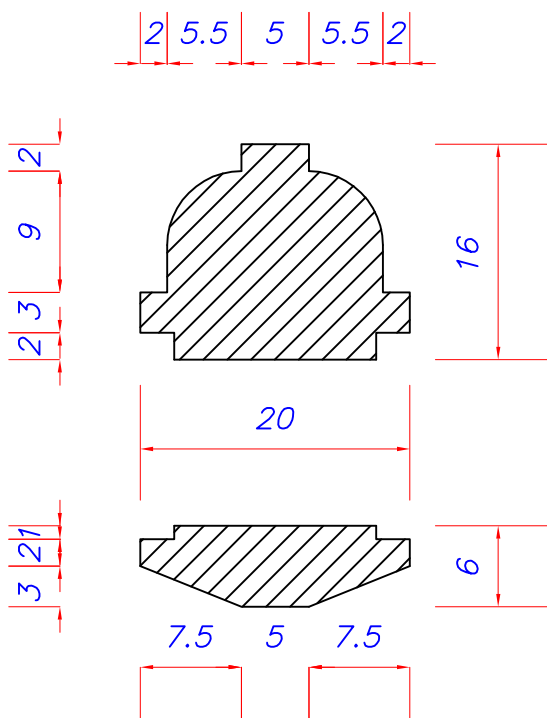
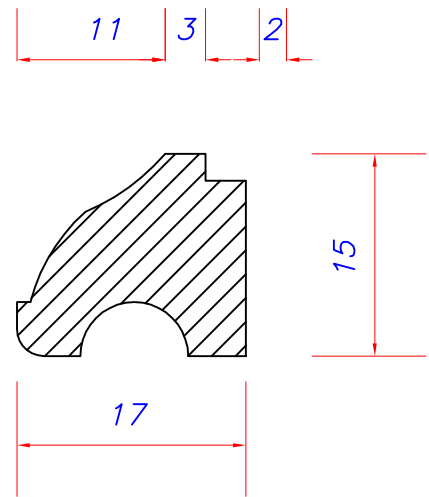
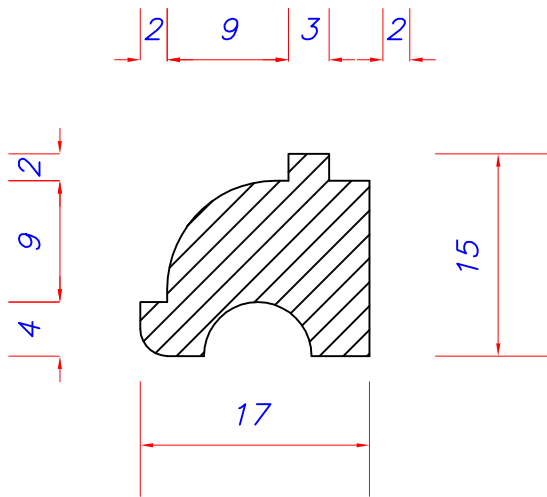
**UNI WINDOWS Ltd.**  
 Unit 6, Edgefield Industrial Est.  
 Loanhead, EH20 9TB  
 Tel.: 0131 448 3931

Sash Tilt Balance 50/63  
 Horizontal and vertical cut

Sash & Case

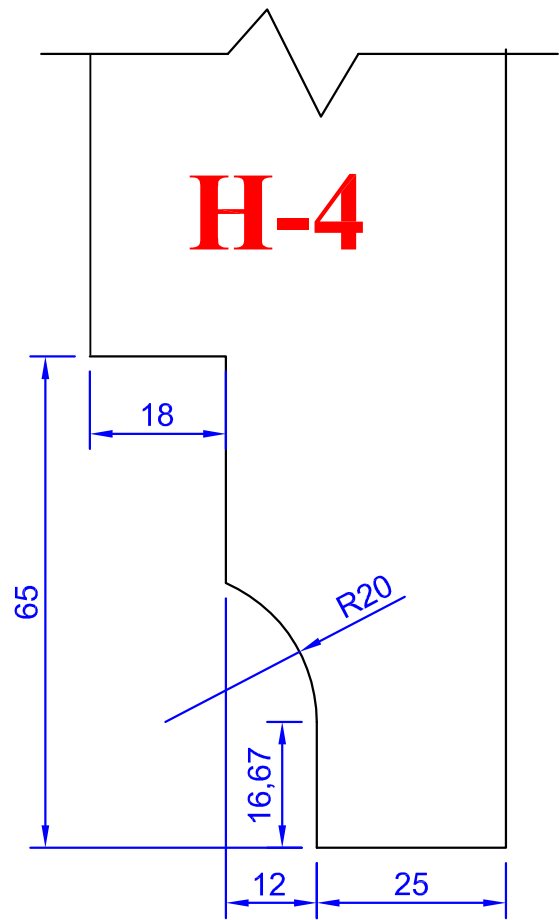
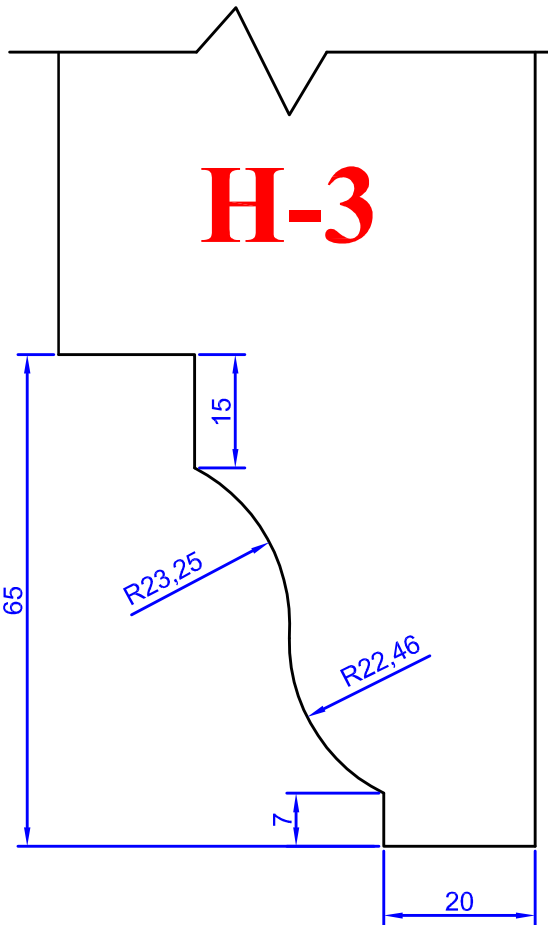
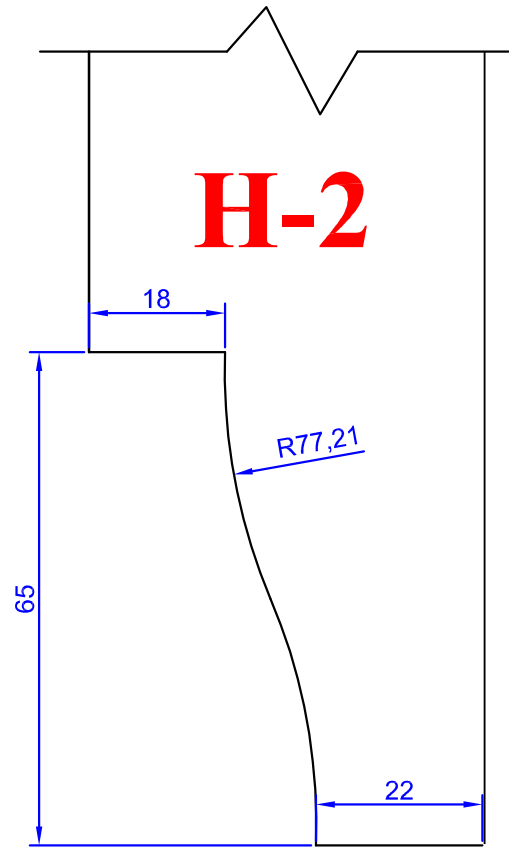
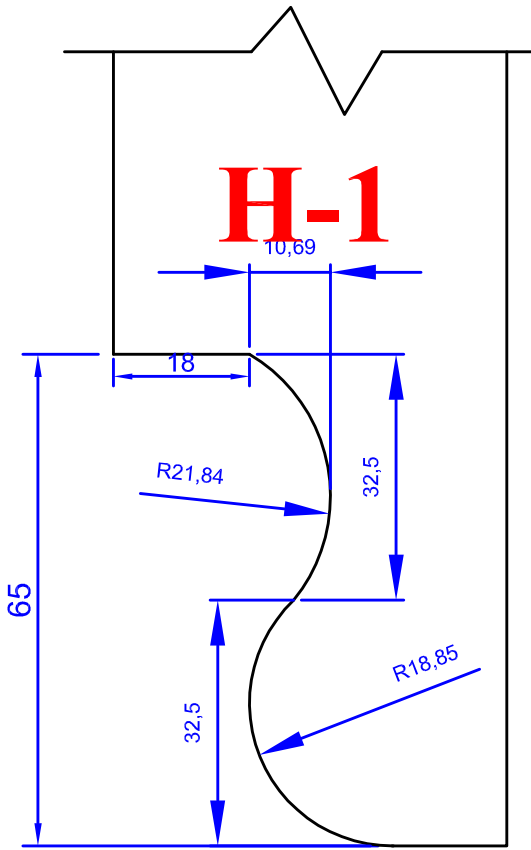
Version: 1	Scale: 1:2
Date: 15.11.13	Drawing: SC8

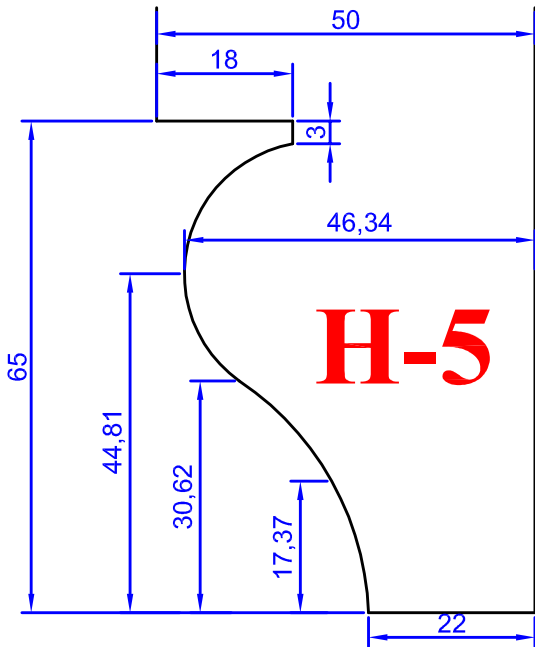




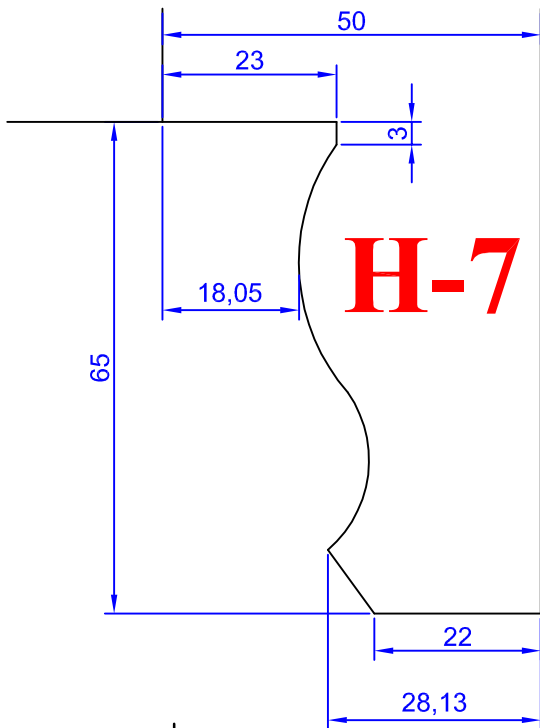
**OGEE**

**LAMB**

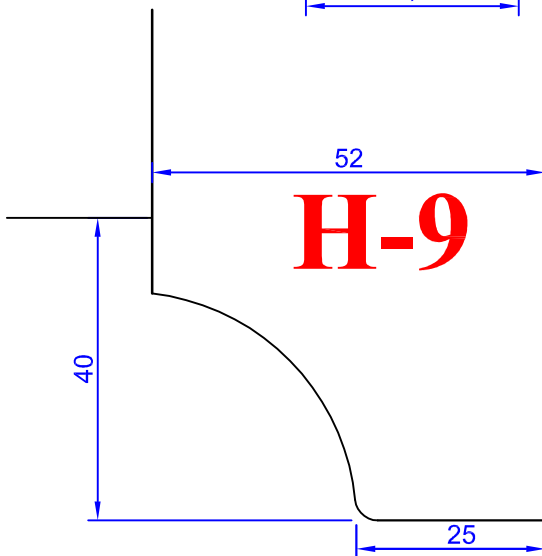




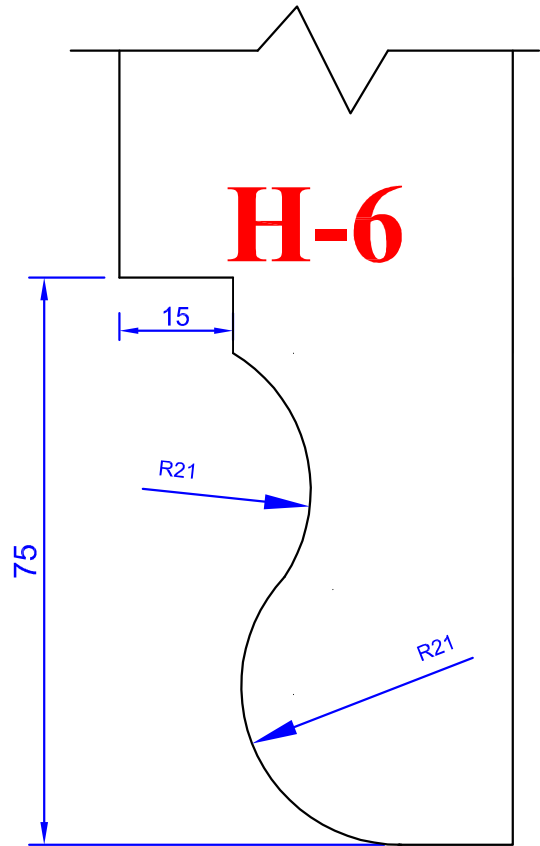
**H-5**



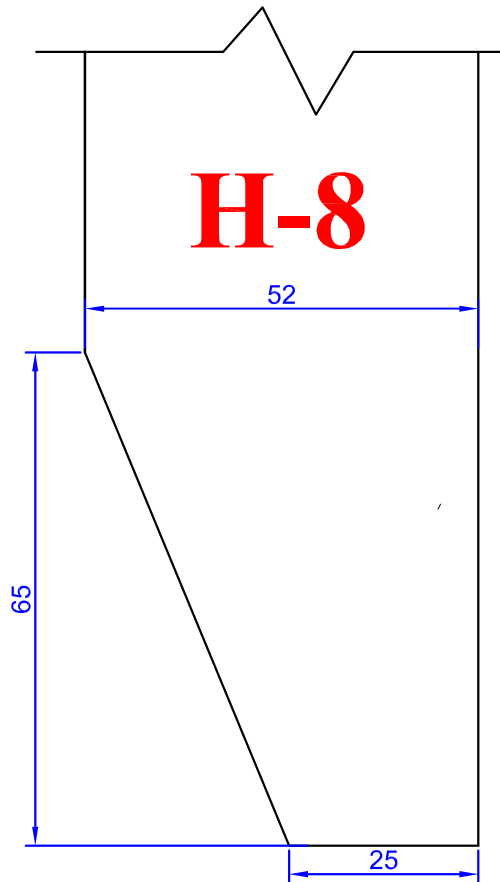
**H-7**



**H-9**



**H-6**



**H-8**



**UNI WINDOWS Ltd.**  
Unit 6, Edgefield Industrial Est.  
Loanhead, EH20 9TB  
Tel.: 0131 448 3931

Horns

Sash & Case

Version:  
1

Scale:  
1:2

Date:  
15.11.13

Drawing:  
SCH2